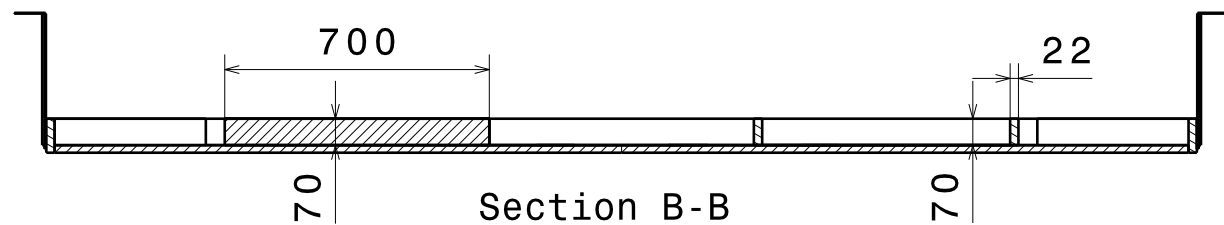
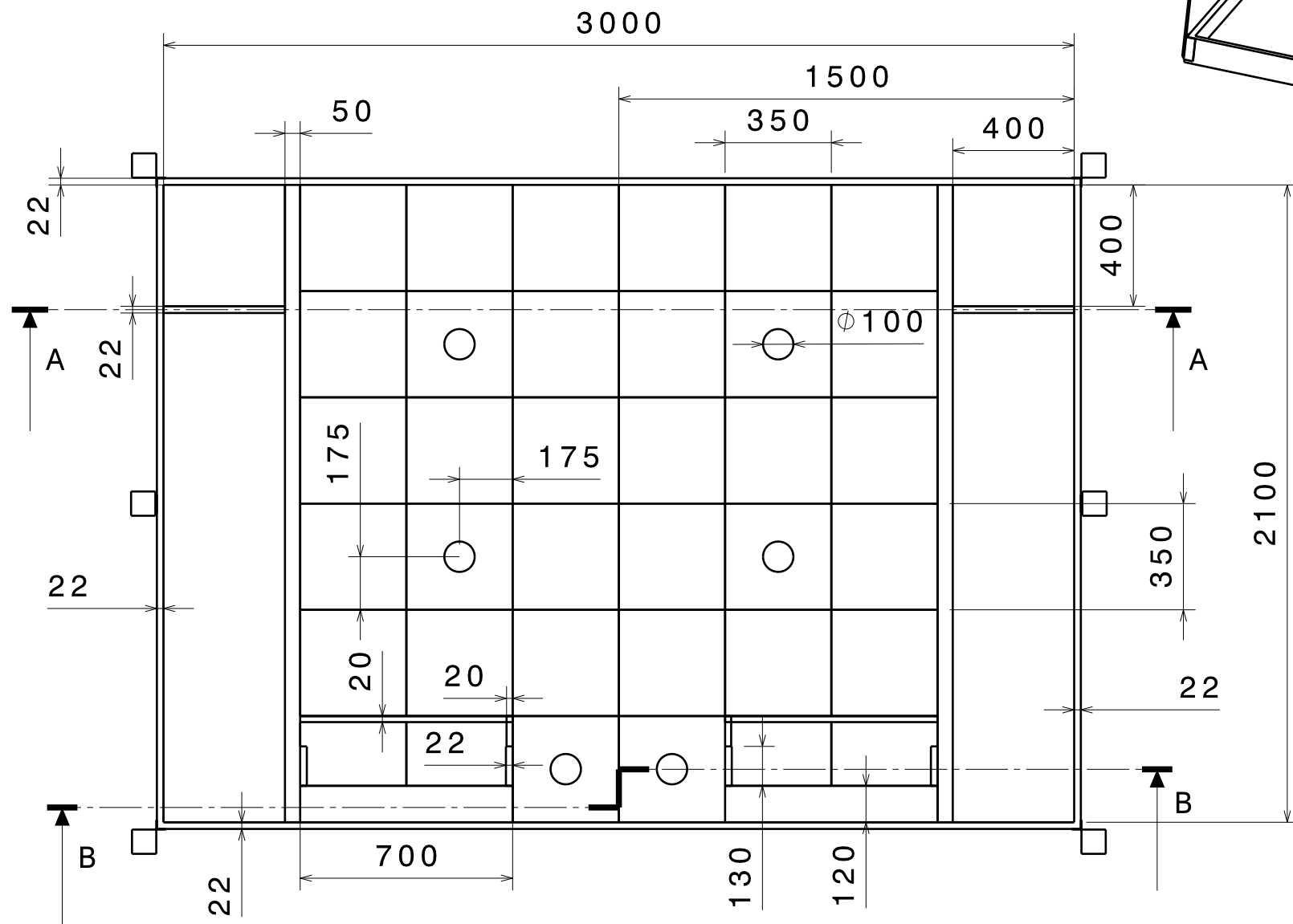
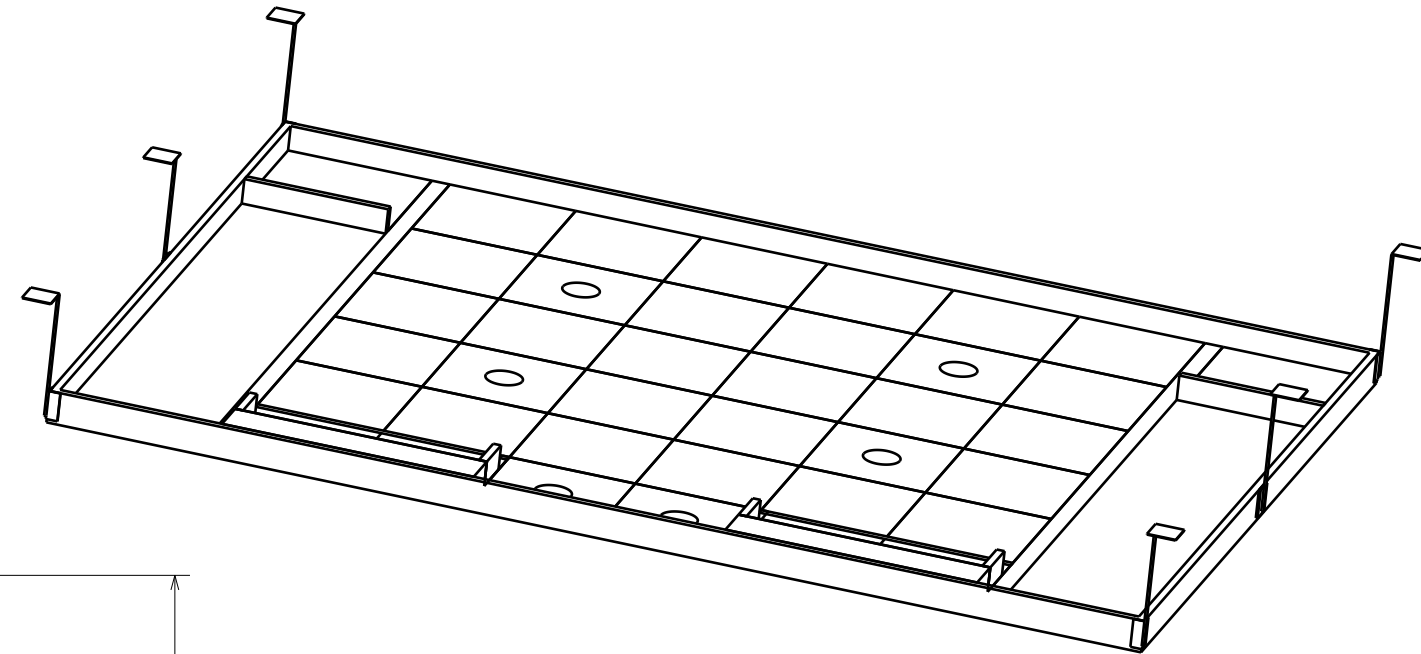




Section A-A

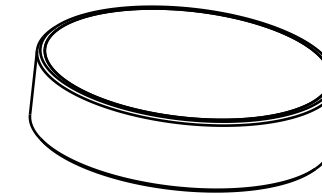
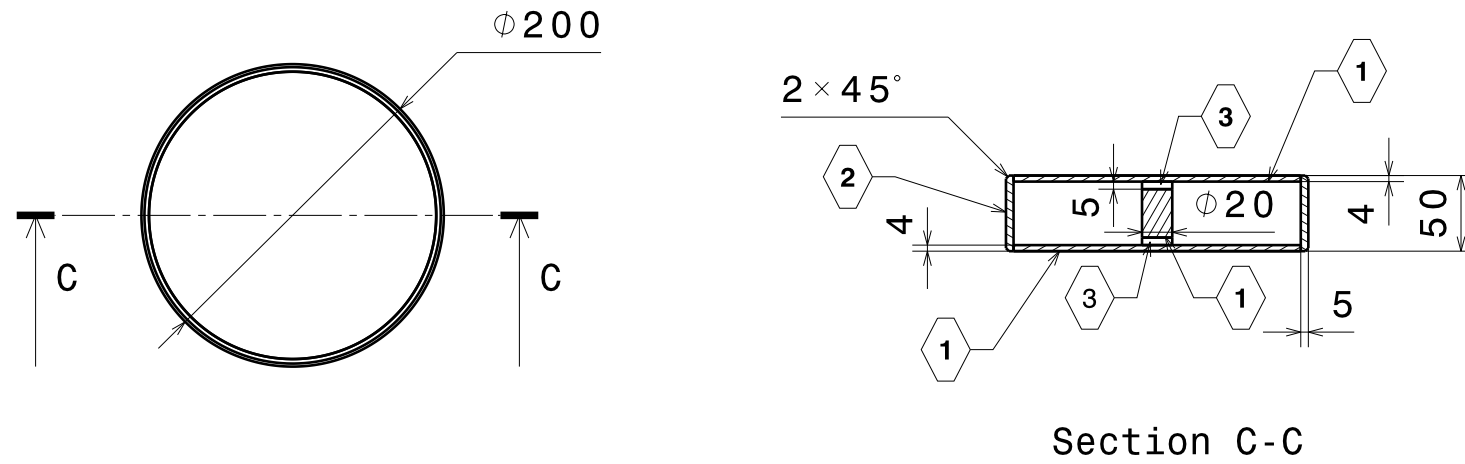


Section B-B

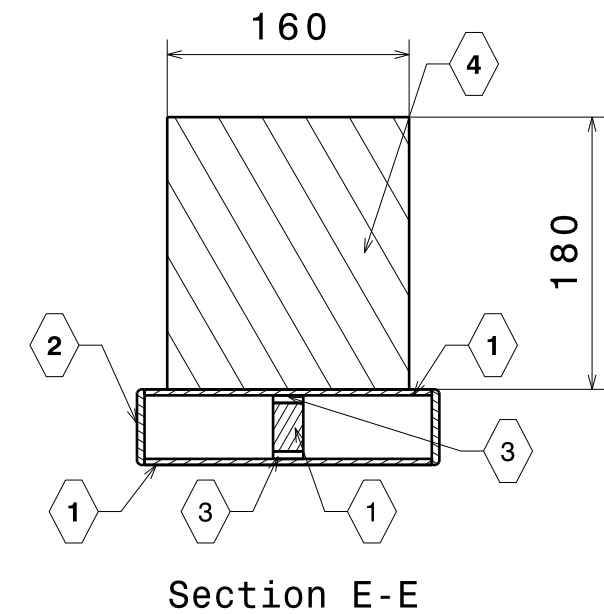
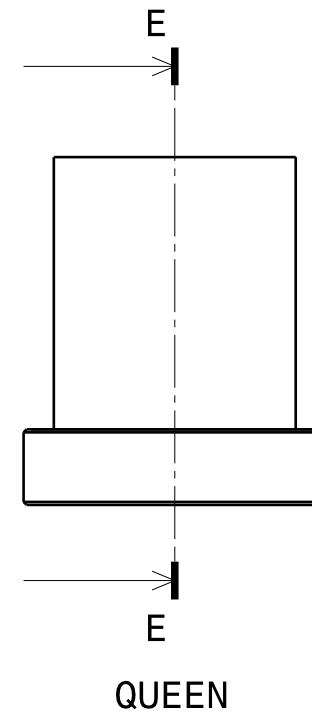
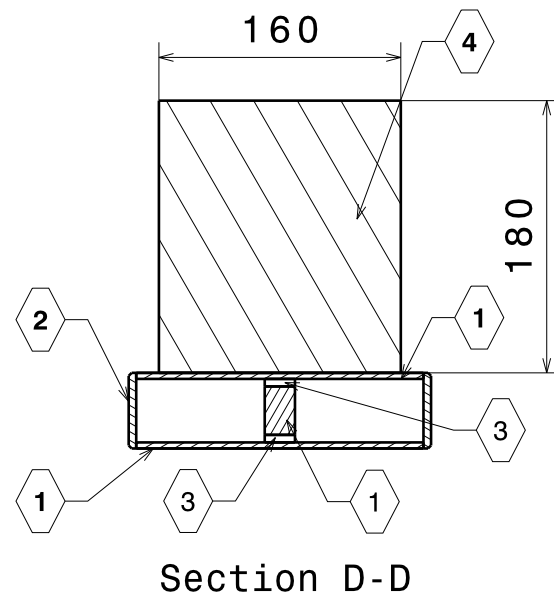
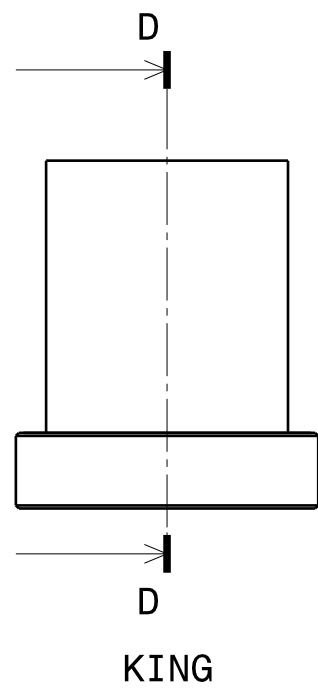


La Ferté-Bernard

DIMENSIONS ARE IN MILLIMETRES		
EUROBOT 2011		
SPECIFICATION OF THE TABLE AND THE PLAYING ELEMENTS		
VERSION 1.2	AUTOR EUROBOT	DATE 26/09/2010
SCALE 1:20	SHEET 1 / 2	FORMAT A3



PAWN



1	Piece of wood
2	Pipe of PVC
3	Magnet
4	Maximun area (cylinder) for the playing element's decoration